

RMA QUICK OPENING CLOSURE WITH SAFETY SYSTEM



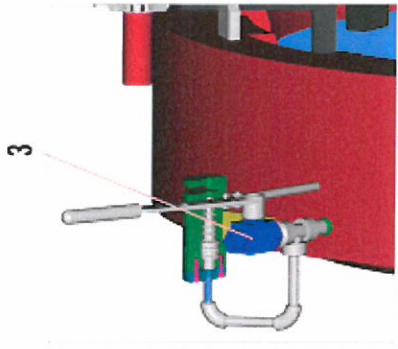
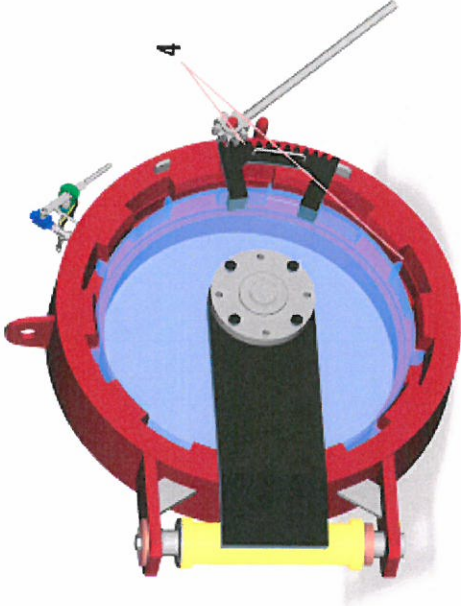
[RMA plant Rheinland](#)
[RMA plant Kehl](#)

[Ball valve HKSF-W100](#)
[Ball valve HKSE](#)
[Ball valve HKSF-FW](#)
[Ball valve HKSF-SB](#)
[Ball valve HKSF-WB](#)
[Ball valve HKSF-PE](#)

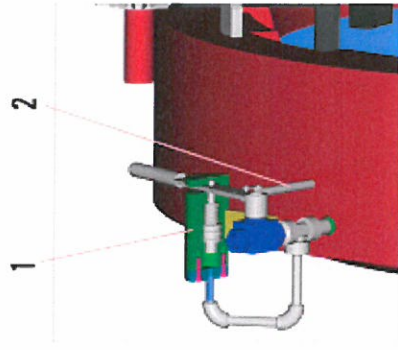
[Gate valves](#)

[Pig trap](#)
[Quick closure](#)
[Insulating joint](#)
[Tee](#)
[Split tee](#)

[Pictures](#)
[References](#)
[Certificates](#)



„Safety system“
in open position



„Safety system“
in closed position

1. Automatic locking device
2. Locking bolt
3. Vent ball valve
4. Security notch

